

Instructions for EZ Pole® Flagpoles

The Liberty (Telescopic with Swivel)

& Mounts

NEW! No Drop Posi-Lock® Double Locking System

Tools and Materials Needed for Concrete Base Install

- post hole digger
- level
- ruler or tape measure
- 3, 40# bags of pre-mixed concrete
- 3/4 Gal. of gravel
- mixing container.

In-Ground Sleeve Mount

1. Select a clear flag and flag pole location (above and below ground). Check for underground sprinkler, water lines, electrical lines..(call utilities if needed)

2. Dig a 25" hole with a tapered diameter, see diagram below.

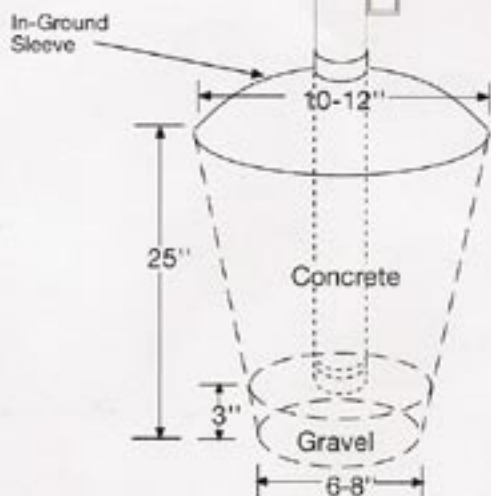
3. Put 3" of gravel under base of aluminum sleeve. (Allows for drainage)

4. Place the plastic cap in the top of the aluminum sleeve. (Keeps cement out)

5. Place aluminum sleeve into hole with plastic cap on top. (2" of sleeve should be above ground level).

6. Mix bag of concrete and pour into hole.

7. Temporarily hold aluminum sleeve vertical fill in the hole with concrete to 1" below ground level.



8. Remove plastic cap. Insert Telescopic Flagpole (in collapsed position) into the aluminum in-ground sleeve.

9. Use level to square vertical. (Place level on 3 places around pole). You can Stabilize for 24 hours or carefully remove the Flagpole and let the concrete set.

10. Put up an "under construction" sign or barrier to prevent injury.

11. After concrete has hardened for 24 hours, you can install flagpole. You can finish off the base of the pole with mulch, grass or flowers.

12. Store the plastic cap in a safe place and use it to cap the sleeve whenever the pole is not installed. This is needed for clean insertion and removal of pole.

13. Congratulations! You have successfully installed your new telescoping flagpole. We hope that you will enjoy it for years to come.

To raise and lower pole

1. Extend top section (pull up smallest diameter pole first).

2. To engage No Drop Posi-Lock® on each section, hold lower pole still while turning upper pole clockwise until arrows line up with button hole on lower pole. Once button snaps into position, turn upper pole back counter clockwise to lock section. Repeat for the following two sections.

To lower pole, disengage button and turn upper pole clockwise.

Usage Guide

Flag sizes:

- First flag is 3'x5'
- Second flag can be 3'x5' but recommend 2'x3'.

Wind Speed:

- 0-30 mph. (Flying flag over 30 mph will cause accelerated wear).
- Winds exceeding 55 mph (severe storms): collapse pole and store safely.



Parts Included: (Assembled)

1, polished aluminum ball with shaft

1, plastic spacer disc

2, stainless steel clips

1, flagpole "swivel-eye"

Telescoping flagpole

2, flagpole swivels

1, in-ground sleeve

1, plastic cap

Note:

For flying a second flag, you will need a second set of clips. Clip flag into bottom hole as shown above.

T&D Fabricating
1489 East 363rd St.
Eastlake, OH 44095
ph: 1-888-454-9164 fx: (440) 951-2933
Website: www.ezpole.com

*Consult with professional or local building department on extremely sandy soil or any unusual conditions.

Manufacturer's Limited Warranty

The manufacturer warrants that if the telescoping flagpole fails due to manufacturing defect within five years from the date of purchase, the mfg. will supply replacement parts or replace pole at mfg's discretion. Warranty does not apply to misuse, negligence, accident, improper installation or stormy weather. Flags are not covered. Freight or labor charges are not included.

MADE IN U.S.A.

America Show Your Colors!